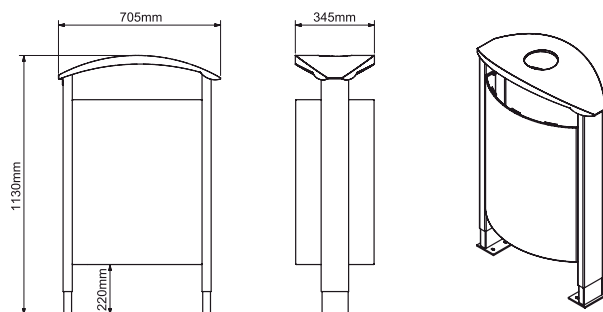

Litter Bins & Ashtrays

Product Name	Reference
Sigma Litter Bin	10A 001
Media Bin Mk 1	10A 002
Media Bin Mk 2	10A 003
Used Ticket Bins	10A 004
Wall / Shelter Mounted Ashtray	10A 005
Freestanding Ashtray	10A 006
Wall / Shelter Mounted Ashtray	10A 007

Sigma Litter Bin



→ Looking for more detailed information?

☎ 0208 561 4959

🌐 www.trueform.co.uk

✉ sales@trueform.co.uk

Ref: 10A 001

Media Bin Mk 1



→ Looking for more detailed information?

☎ 0208 561 4959

🌐 www.trueform.co.uk

✉ sales@trueform.co.uk

Ref: 10A 002

Media Bin Mk 2



→ Looking for more detailed information?

☎ 0208 561 4959

🌐 www.trueform.co.uk

✉ sales@trueform.co.uk

Ref: 10A 003

Used Ticket Bins



→ Looking for more detailed information?

☎ 0208 561 4959

🌐 www.trueform.co.uk

✉ sales@trueform.co.uk

Ref: 10A 004

Wall / Shelter Mounted Ashtray



→ Looking for more detailed information?

☎ 0208 561 4959

🌐 www.trueform.co.uk

✉ sales@trueform.co.uk

Ref: 10A 005

Freestanding Ashtray



→ Looking for more detailed information?

☎ 0208 561 4959

🌐 www.trueform.co.uk

✉ sales@trueform.co.uk

Ref: 10A 006

Wall / Shelter Mounted Ashtray



→ Looking for more detailed information?

☎ 0208 561 4959

🌐 www.trueform.co.uk

✉ sales@trueform.co.uk

Ref: 10A 007